



Dairy Dispenser

SKECD12-V3 Series

**Improve your
beverage quality
& your bottom line**

Consistently Accurate
Significant reduction in dairy usage
NO RESET BUTTON
Simple to clean
Simple to service

1600 Xenium Lane
Minneapolis, MN 55441-3787
Tel: (763) 923-2441 Fax: (763) 553-1209
Toll Free: 1-800-328-3329
www.silverking.com



Dairy Dispenser

SKECD12-V3 Series

features



liquid level sensing technology

New technology eliminates reset button and fill-to lines on the containers. The machine is constantly weighing each of the containers to determine how much product is in them so that it can dispense every shot accurately. This newly developed technology eliminates user error and the over usage of dairy. Also, the amount in each container is clearly displayed on the front panel.



simple sealed valve system

No removable parts and no tools required to clean the unit. No brushes, only a rag and cleaning solution required to clean unit. Valves are completely isolated and sealed from the solenoids and electronics. No more failures from dairy getting into the solenoids.



wide mouth containers

Wide openings on each container make filling easy resulting in absolutely no spillage. Less mess, less waste! The container design is robust and metal feet prevent damage to nozzle if the container is accidentally dropped.

- Minimal ice buildup, latch tightly seals the unit
- Display shows amount of product remaining in each container
- Intuitive user interface
- More efficient with R290 refrigerant

service



simple to service

SNAP™ Technology (Service Now Any Part) – crew serviceable components

main control board attaches by a single pin connection is easily removed without tools.

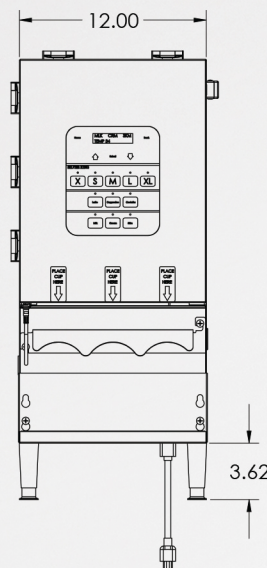
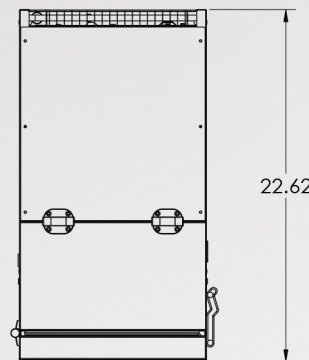
valve mechanism requires only a single screw to remove and replace.

the touch panel connection easily screws on and off and is completely waterproof.

calibration is rarely necessary and only takes minimal steps to complete.

USB connection makes software upgrades easy.

specifications



electrical

Model Number	Volts	Hz	Amps	BTUs / Hr	Plug Type
SKECD12V3-1-KE1	120	60	1.8	310	NEMA 5-15P
SKECD12V3-2-LE1	208-240	50/60	1.1	310	BS1363UK10
SKECD12V3-2-ME1	208-240	50/60	1.1	310	Schuko CEE 7-7
SKECD12V3-2-NE1	208-240	50/60	1.1	310	NBR14136

dimensions

Shipping Weight	Shipping Dimensions (H x W x D)
102 lbs / 46.27 kg	36" x 18" x 27" (91.4 cm x 45.7 cm x 68.6 cm)

certifications

SKECD12-V3-1-KE1	SKECD12-V3-2-LE1	SKECD12-V3-1-ME1	SKECD12-V3-1-NE1
ETL (C/US) Safety	CE	CE	INMETRO
ETL Sanitation	ETL Sanitation	ETL Sanitation	ETL Sanitation

